



MICROPROCESSOR CRYSTALS AT 49 LOW PROFILE 4-PAD ABSM3A and ABSM3B

FEATURES:

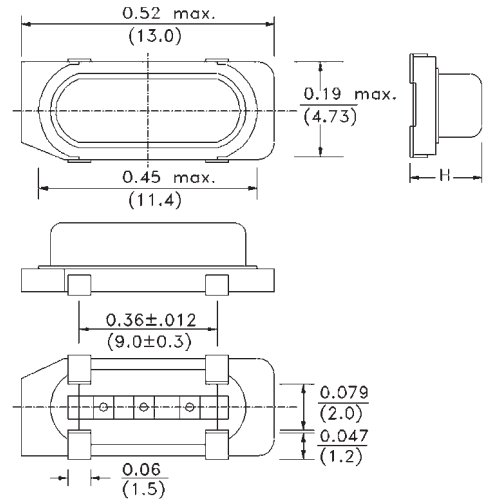
- Excellent all-purpose surface-mount crystal.
- Two different pin connects available.
- Four pad land pattern compatible with common plastic molded designs.

APPLICATIONS:

- Modems, communications and density equipment

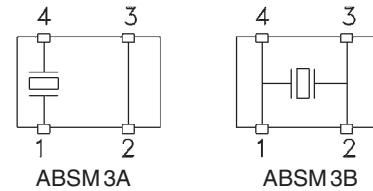
STANDARD SPECIFICATIONS

| | |
|------------------------------------|--|
| Frequency Range | 3.579 MHz - 60 MHz |
| Operation Mode | 3.579 MHz - 28 MHz (Fundamental) 28.01 MHz - 60 MHz (3rd overtone) (Fundamental Frequency up to 50 MHz) |
| Operating Temperature | -10°C to +60°C (See Options) |
| Storage Temperature | -40° to +85° C |
| Frequency Tolerance @ 25°C | ± 50 ppm max. (See Options) |
| Frequency Stability over Temp. | ± 100 ppm max. (See Options) |
| Equivalent Series Resistance (ESR) | 180 Ω max. for F ~ 3.579 MHz - 3.999 MHz 150 Ω max. for F ~ 4.000 MHz - 4.999 MHz 100 Ω max. for F ~ 5.000 MHz - 6.999 MHz 50 Ω max. for F ~ 7.000 MHz - 14.99 MHz 40 Ω max. for F ~ 15.00 MHz - 50.00 MHz |
| 3rd Overtone | 100 Ω max. for F ~ 28.01 MHz - 60.00 MHz |
| Shunt Capacitance C ₀ | 7 pF max. |
| Load Capacitance C _L | 18 pF (See Options) |
| Drive Level | 1 mW max., 100 μW correlation |
| Aging @ 25°C per Year | ± 5 ppm max. |
| Insulation Resistance | 500 M Ω min. at 100 Vdc ± 15V |



H = 0.18 max (4.6) for F > 20.00 MHz
H = 0.20 max (5.1) for F ≥ 3.579 MHz

Dimensions: Inches (mm)



PIN CONNECTIONS

Please see environmental, and mechanical specifications on page 68, Group 1.
Marking, see page 76. Tape and Reel, see pages 74-75 (1,000 pcs/reel).

ORDERING OPTIONS

